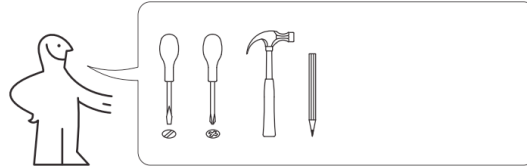


GRAPHIC DESIGN SAFARI:

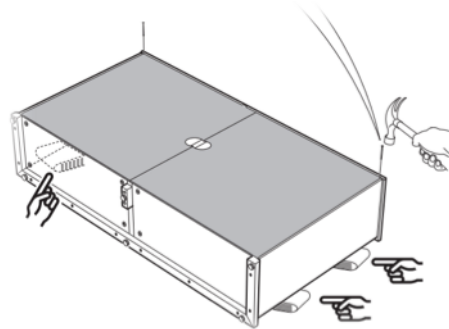
Demonstrating “how to” using only visual information



Your task: SHOW readers/viewers how to roast coffee using only visual information, or illustration. You cannot use words, other than the title, “How to roast your own coffee.” In other words, using only images (no words), make a series of diagrams or pictures describing how to do the.

A **website** to help you gather the necessary information:

http://www.ehow.com/how_2093337_roast-coffee-beans.html.



The point: To help us think visually, and to give us practice communicating information - not persuasion - in a purely visual or graphical form.

A website for inspiration:

http://www.ikea.com/ms/en_US/customer_service/assembly_instructions.html

